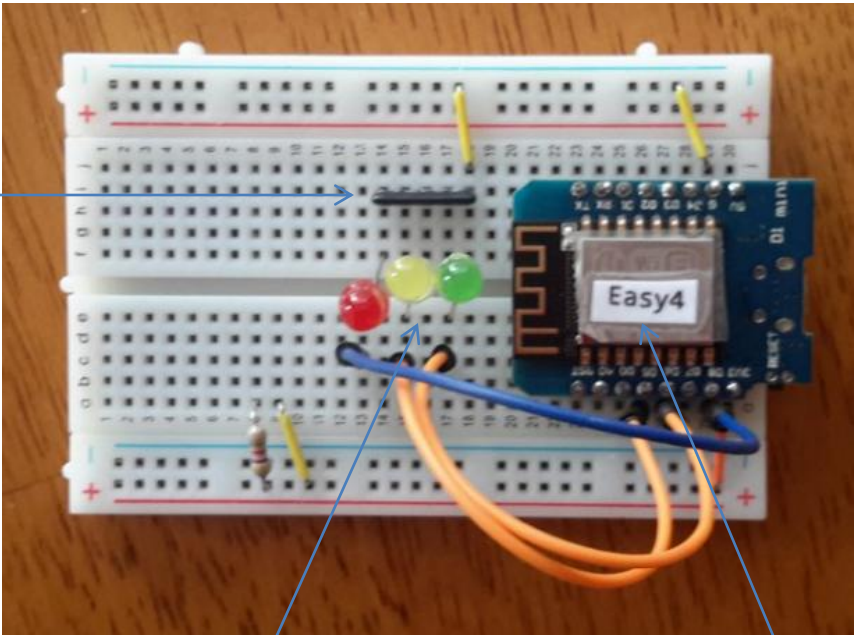


# ESP Easy

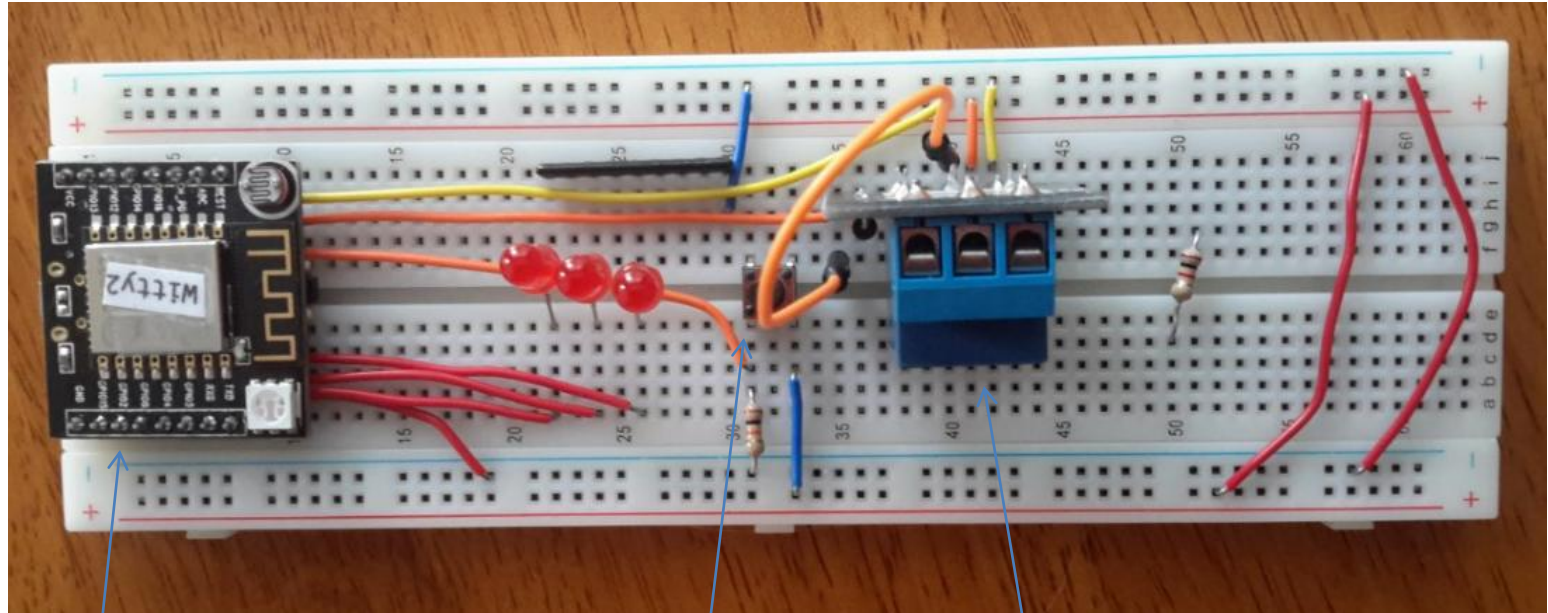
- Fully operational software that is loaded on any ESP8266 device then is configured via browser. Preprogrammed with support for most sensors.
  - [http://www.esp8266.nu/index.php/Main\\_Page](http://www.esp8266.nu/index.php/Main_Page)

Network Resistor



LEDs

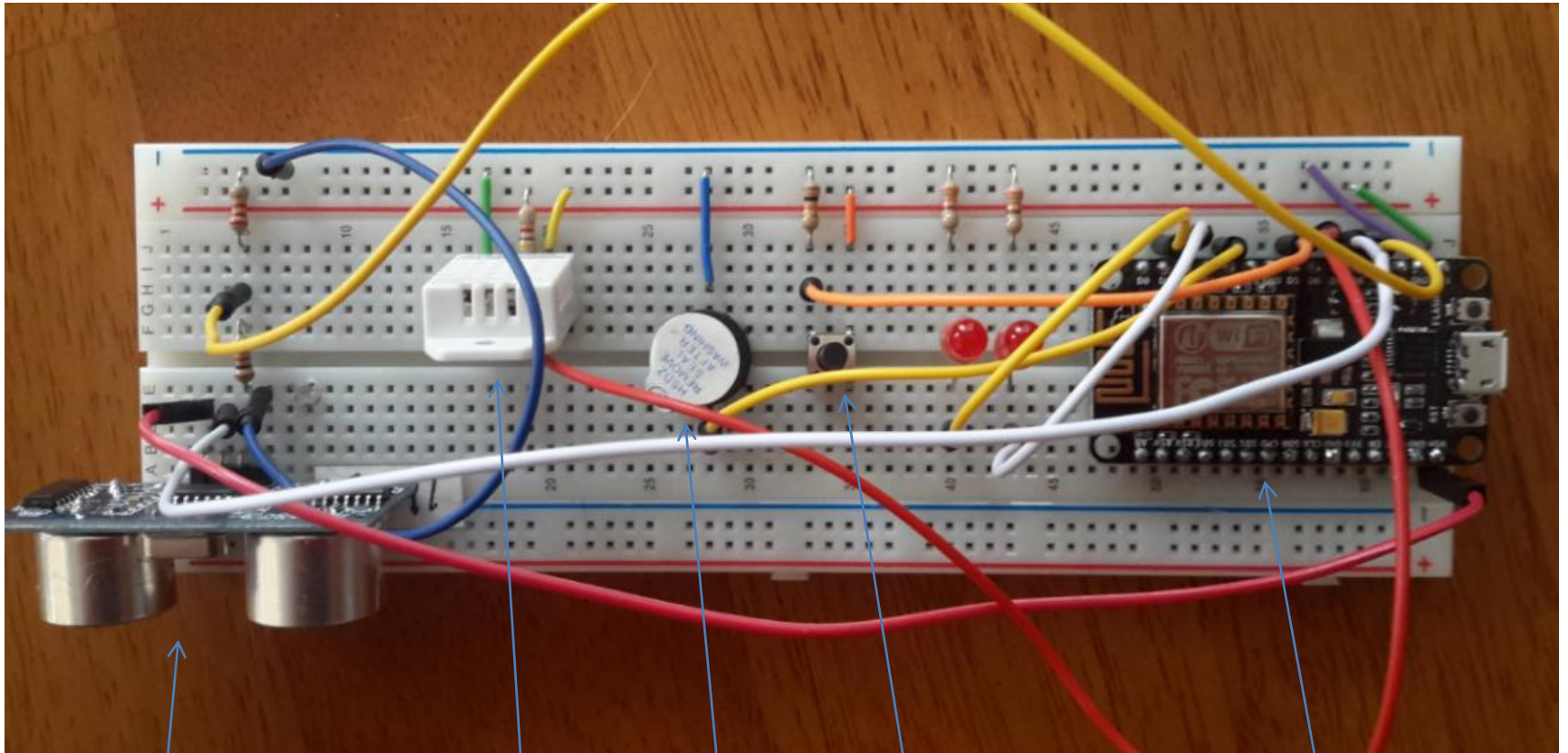
Wemos D1 Mini  
\$2.60 each



WiFi Witty Cloud  
Development Board  
\$4/each

Push  
Button

Relay  
10 Amps @ 110v



Ultrasonic Sensor  
HC - SR04

Temp/  
Humidity

Buzzer

Push  
Button

Nodemcu  
Development  
Board \$3-5/ea

# Arduino IDE

- Excellent integrated development environment (IDE) originally for Arduino boards but now has been extended to support the ESP8266 line using the C++ language.
  - Download from <https://www.arduino.cc/>
  - To add support for ESP8266 boards see <https://learn.sparkfun.com/tutorials/esp8266-thing-hookup-guide/installing-the-esp8266-arduino-addon>
- Many, many example programs that can be used.